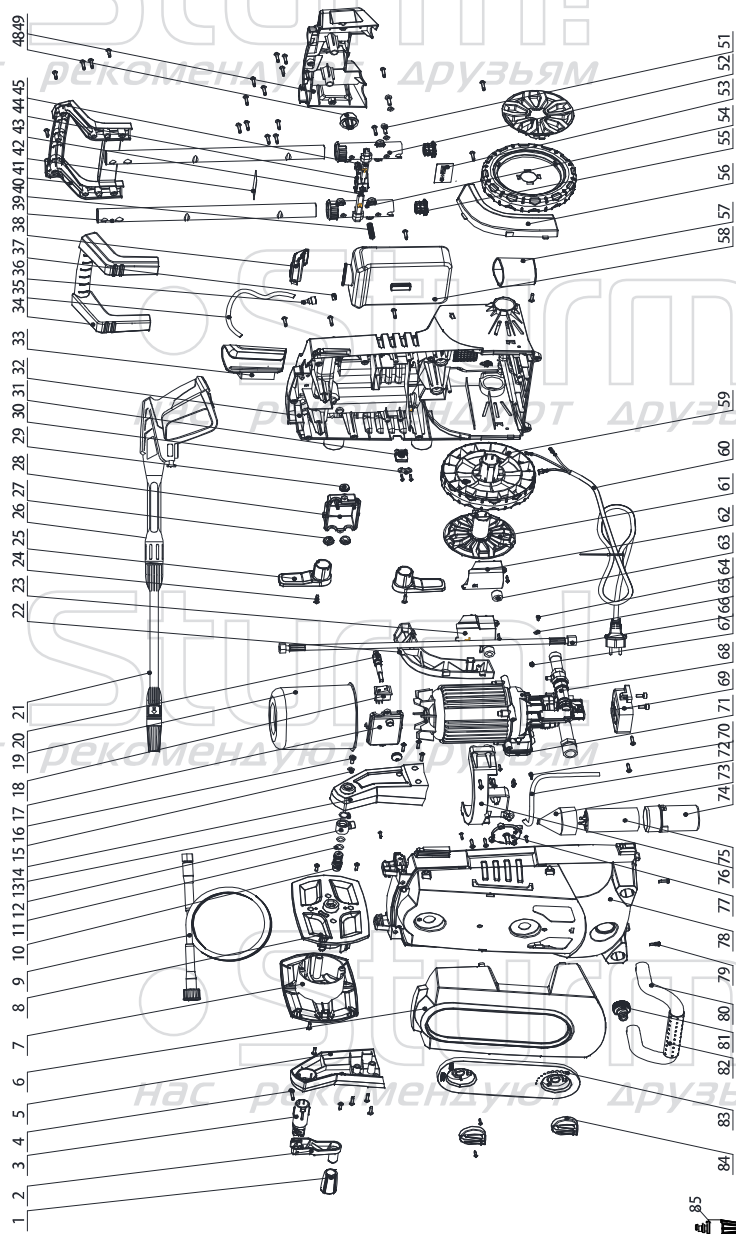


PW92301



No.	DESCRIPTION	No.	DESCRIPTION
1	Water Outlet Joint	45	Pump
2	Spring	46	O-Ring
3	O-Ring	47	Y-Righ
4-9	Pressure Limiting Valve	48	O-Ring
10-16	Piston Ass.	49	Middle Sets
17	Pump Head	50	O-Ring
18	Screw Internal Hexagonal	51	I N The Interval Sets
19	Spring Washer	52	Skeleton Seal
20	Screw Internal Hexagonal	53	Plunger Spring
21	O-Ring	54	Plunger
22-25	Inlet Valve Ass.	55	Plunger Clip
23,26,28-29	Outlet Valve Ass.	56	Thrust Ball Bearings 51107B
27	O-Ring	57	Screw Internal Hexagonal
30	O-Ring	58	Spring Washer
31	Water Valve Cap	59	Gasket
32	O-Ring	60	Bearings Seat
33	Water Inlet Joint	61	Bearings 6303RS
34	Strainer	62	Seal
35-43	Auto Stop Ass.	63	Motor
44	Screw Internal Hexagonal	64	Fan

PW92301



No.	DESCRIPTION	No.	DESCRIPTION	No.	DESCRIPTION
1	Handle Sleeve	30	Outlet Plate	62	Right Water Baffle
2	Handle Connecting Rod	31	Outlet Jacket	63	Motor Rubber Feet
3	Handle	32	Bottom Housing	64	Screw
4	Screw	33	Gun Holder	65	Gasket
5	Hose Reel Left Bracket	34	Handle Cover	66	Internal Short Hose
6	Decoration Board	35	External Tube	67	Tooth Type Gasket
7	Left Hose Reel	36	Soap Tank Filter	68	Pump And Motor
8	Right Hose Reel	37	Soap Tank Filter Net	69	Pump Fixing Seat110
9	5M Hose	38	Soap Tank Cover	70	Screw
10	Hose Reel Anxle	39	Rod	71	Junction Box 110
11	O Riing	40	Telescope Handle Spring	72	Internal Soap Tube
12	Coil Inner Connector	41	Handle	73	Capacitor Cover
13	Retaining Ring For Shaft	42	Warning Label	74	Capacitor Box
14	Hose Reel Right Bracket	43	Right Zipper Block	75	Capacitor
15	Gasket	44	Block Guide	76	Motor Platen
16	Screw	45	Left Zipper Block	77	Switch For Detergent
17	Switch Cover	48	Telescoping Button	78	Front Housing
18	Switch	49	Accessories Holder	79	Screw
19	Motor Cover	51	Screw	80	Bottom Bracket
20	Pull Rod	52	Left Pull Rail	81	Inlet Mail Connector
21	Gun Lance	53	Specification Label	82	Bracket Jacket
22	Left Wheel Eaves	54	Right Pull Rail	83	Knob Decoration Board
23	Left Water Baffle	55	Rod Block	84	Knob Series
24	Screw	56	Right Wheel Eaves	85	Turbo nozzle
25	Hose Hook	57	Gun Holder		
26	Gun Pistol	58	Biult-In Soap Tank		
27	Cable Seal Ring	59	Wheel		
28	Switch Box	60	Cable		
29	Switch Box Outlet Block	61	Wheel Cap		